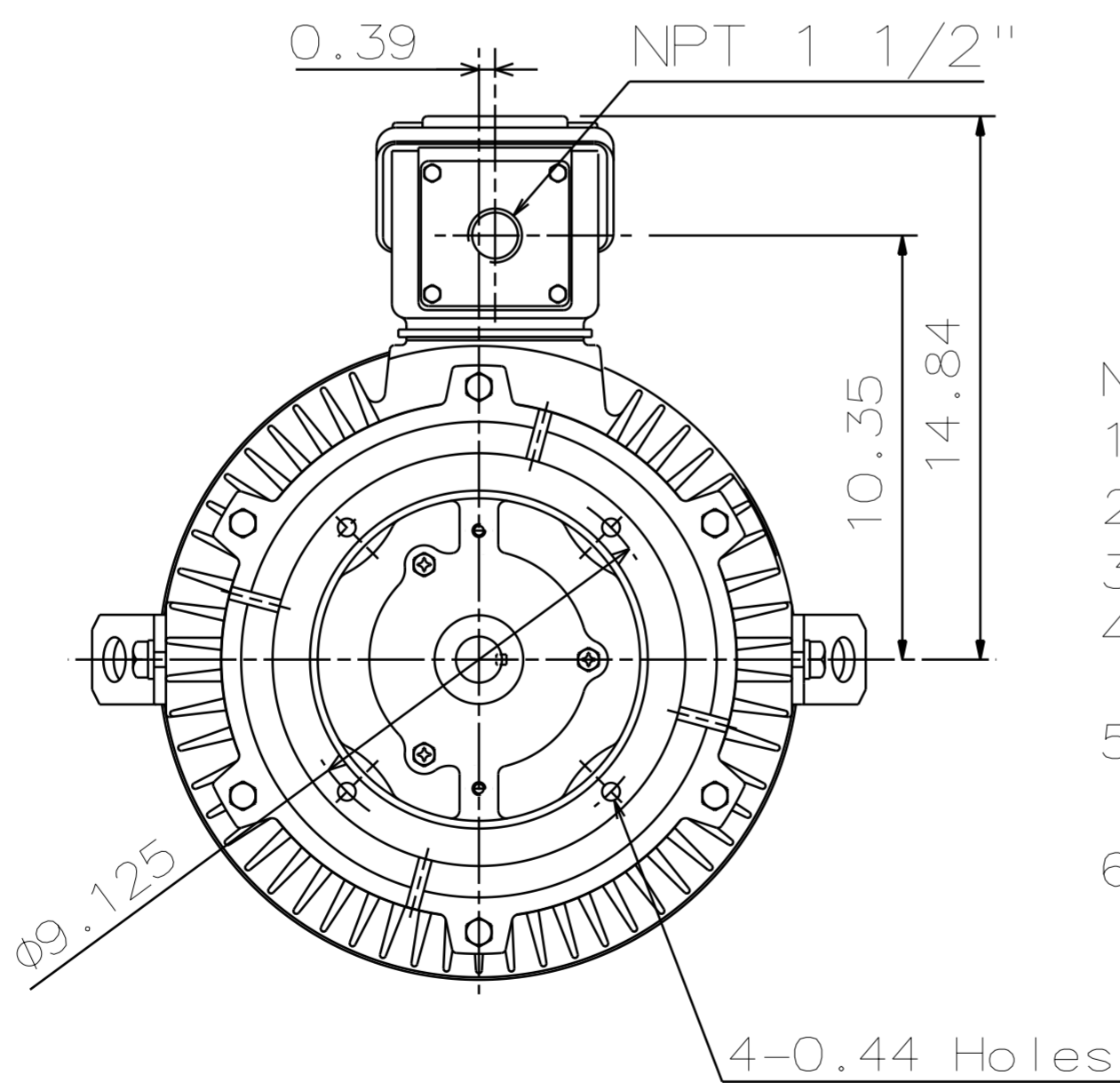
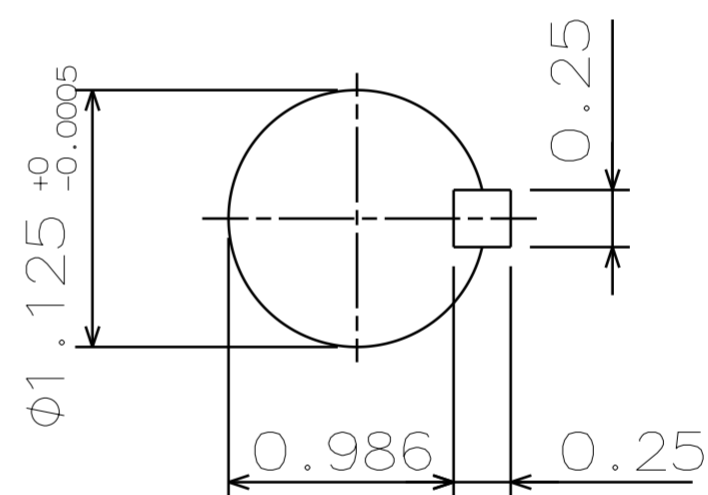
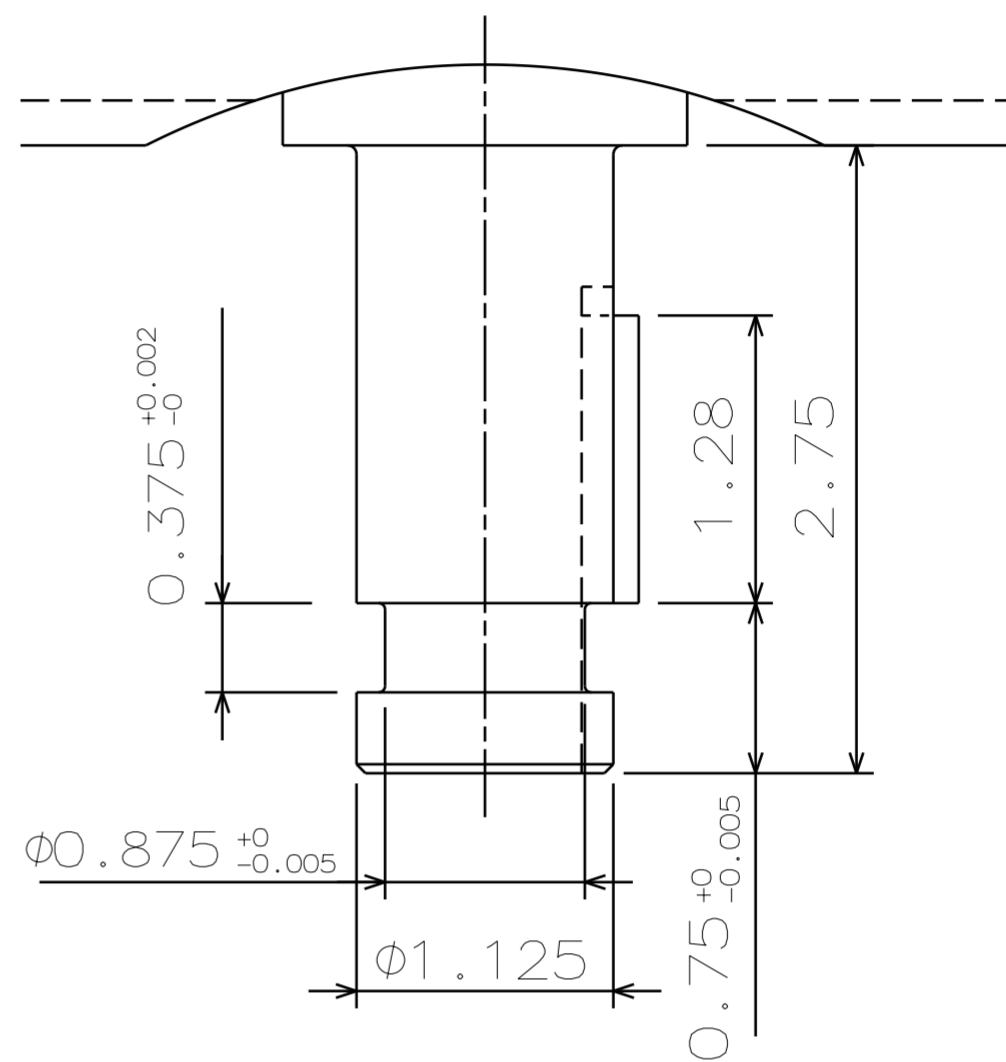
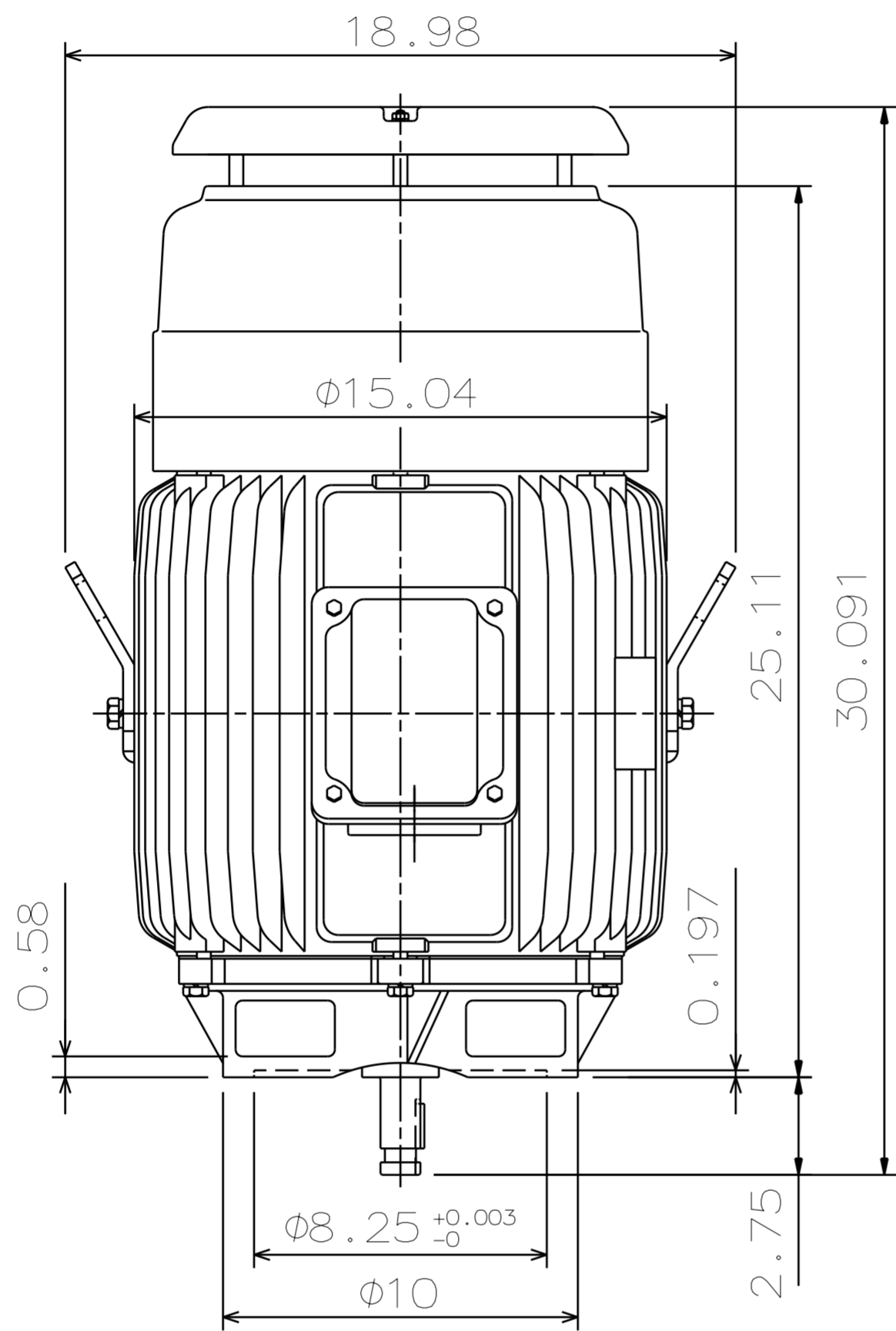




| | | |
|-----------------------------|-----------------------------------------------|-----------------------|
| CATALOG NUMBER: VSTP0304 | OUTLINE DIMENSIONS 3-PHASE INDUCTION MOTOR | MOTOR TYPE: AEEHED |
| DATE SEP-29-2017 | | FRAME NO. 286VP |

| | | | | | |
|------|--------|--------------|---------------|---------------------|--------------------------|
| Pole | HP | kW | Hz | VOLT | Syn. Speed r/min(rpm) |
| 4 | 30 | 22 | 60 | 230/460 | 1800 |
| Ins | Rating | Dimension in | Approx Weight | Bearings | |
| F | CONT. | inches | 558 LBS | DE:6311ZZ NDE:7312B | |

Totally Enclosed Fan-Cooled Vertical Type Squirrel-cage Rotor.



- NOTE:
1. CLASS F INSULATION, S.F.: 1.15
 2. FOR DIRECT COUPLING.
 3. ROTATION: CCW [VIEW FROM TOP].
 4. WITH NON-REVERSE RATCHET MECHANISM.
 5. DOWNTHRUST: 3350 LBS (L10-8800HRS)
 6. SPACE HEATER RATED AT 120 VOLT, SINGLE PHASE, 109 WATTS, LEADS TERMINATE IN MAIN LEAD BOX.

| | | |
|--|--|--|
| | | |
|--|--|--|

| | | |
|-------|----------|----------|
| DWN. | K.L.KUO | 09.30.08 |
| CHKD. | K.L.KUO | 10.06.08 |
| APPD. | M.C.TSAI | 10.06.08 |

TECO Westinghouse

DWG NO.
31057H316460